



Joytech Products Co., Ltd.

**LED**

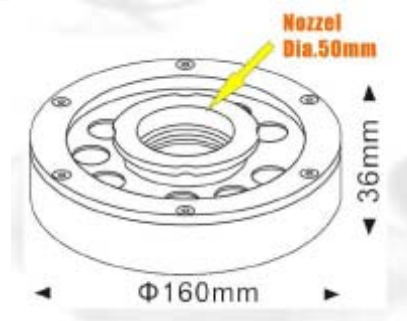


**IP68**  
OUTDOOR RATED

**CE**

**RoHS**  
2002/95/EC

**LED Fountain Light, Water Music Fountain Light**



# Specification

Front cover & Housing: Molding shaped 304\* or 316\* stainless steel

Glass: Step tempered glass T= 6mm

Lends: Optical lens, efficiency  $\geq 85\%$

Cable gland: IP-68 PG-11 copper and nickel coated

LED: High power LED

PCB: Excellent heat conductivity aluminum, coefficient of heat conductivity  $\geq 2.0\text{w/mk}$

Driver: Constant current output

Single color LED= 3-circuit output

RGB LED= 3-circuit output

RGB 3 in 1 LED= 6-circuit output

Application environment: Temperature of water between  $-20^{\circ}\text{C} \sim 40^{\circ}\text{C}$  less than 1.0 meter depth.

Power Cable: H05RN-F 2 x 1.0mm<sup>2</sup> L= 3m (for single color)

H05RN-F 4 x 0.75mm<sup>2</sup> L= 3m (for RGB)

Item No.	Light source	Suitable Lens	Lens Beam Angle(°)	Consumption (W)	Input voltage (V)	Operating current (mA)
94191	9 x 1W	* L0115C023ST, L0130D022MS	15, 30	11.2	24VDC	350
94192	9 x 3W	* L0115C023ST, L0130D022MS	15, 30	24.5	24VDC	600
94193	9 x 1W RGB 3 in 1	* L0115C023ST, L0130D022MS	15, 30	10.1	24VDC	R= 300, G= 330, B= 330
94194	9 x 3W RGB 3 in 1	* L0115C023ST, L0130D022MS	15, 30	20.2	24VDC	R= 600, G= 650, B= 650
94196	9 x 3W RGB 3 in 1	L0115C023ST, L0130D022MS	15, 30	28.5	24VDC	R= 300, G= 330, B= 330

The power consumption is base on the test of 24VDC input, it refer to the power consumption of whole fitting. Different input voltage with different power consumption.

## JOYTECH PRODUCTS CO., LTD.

1F, No.15, Lane 27, Sec. 3 Chung-king South Rd., Taipei 100, Taiwan, R. O. C.

Tel: 886-2-23582899 Fax: 886-2-23415778

E-Mail: sales@joytech-jpc.com.tw Website: www.joytech-jpc.com.tw