



Joytech Products Co., Ltd.

Art of Simplicity

Stream Line 1 LED Linear Light

Approvals



Certification

UL/DLC, CE, RoHS listed



Appearance

Beautiful rectangular or customized design is available.

Mounting: single or chain-hunged

It can be cable-suspended or surface-mounted. And it can be chain-hunged like a bar.

Energy saving

High efficiency, environmentally friendly, easy to maintain

Safe

Internal isolated power supply is relatively safe

Warranty: 5 years

Rated Life: 50,000 hrs

Applications



Hospital



Factory



School



Office



Supermarket

JOYTECH PRODUCTS CO., LED.

Address: 1F, No. 15, Ln. 27, Sec. 3, Chongqing S. Rd. Zhongzheng Dist., Taipei City 10076, Taiwan (R.O.C.)

<http://www.joytech-jpc.com.tw> E-mail: sale@joytech-jpc.com.tw Tel.: +886 2 2358-2899 Fax: +886 2 2341-5778

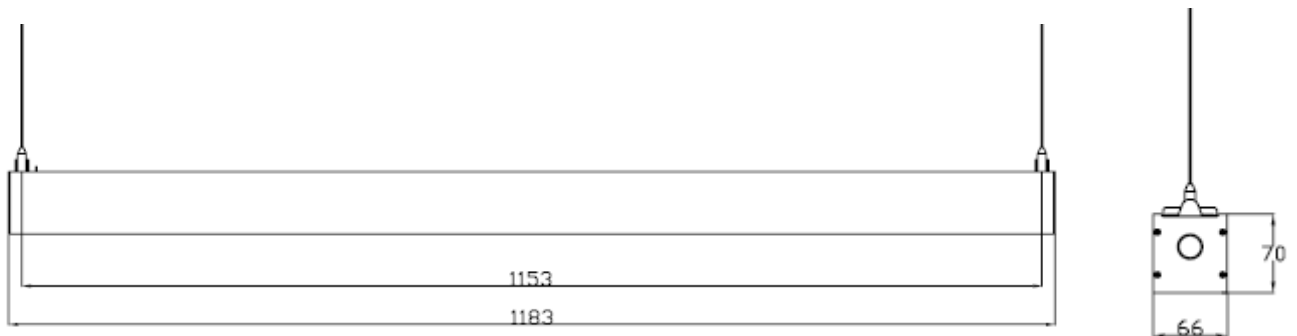


Joytech Products Co., Ltd.

1. Features

- An energy-efficient, low maintenance alternative to traditional fluorescent lamps.
- LED light engine consists of a precision aluminum heat sink and aluminum printed circuit board, which is good for heat dissipation and low luminous decay.

2. Product Dimension



Product Length	L(mm)	D(mm)	H(mm)
4 Ft	1183+/-1	66+/-1	70+/-1

3. Product Specification

- | | | |
|---|--|---|
| <ul style="list-style-type: none"> • Humidity
Operating 10%-80%
Storage 10%-80% | <ul style="list-style-type: none"> • Temperature
Operating -20~+40 °C
Storage -20~+40 °C | <ul style="list-style-type: none"> Input Voltage: AC100-240V 50/60Hz PF :> 0.9, THD<20%, CRI>80 Power efficiency: 87% |
|---|--|---|

Item	Power Consumption	LED Q'TY	CCT	Luminous Flux	Efficacy (Lm/W)	Beam Angle	Cover	Dimmable
JPLILN4DMA (CE Listed) JPLILN4DLA-30 WSB (UL Listed)	30W	108pcs 2835 LEDs	3000K	3000 Lm ± 10%	100	105°	Frosted	YES
			4000K	3450 Lm ± 10%	115			
			5000K	3450 Lm ± 10%	115			
			6000K	3450 Lm ± 10%	115			
JPLILN4NMA (CE Listed) JPLILN4DLA-30 WSB (UL Listed)	30W	108pcs 2835 LEDs	3000K	3000 Lm ± 10%	100	105°	Frosted	NO
			4000K	3450 Lm ± 10%	115			
			5000K	3450 Lm ± 10%	115			

JOYTECH PRODUCTS CO., LED.

Add: 1F, No.15, Ln. 27, Sec. 3, Chongqing S. Rd. Zhongzheng Dist., Taipei City 10076, Taiwan (R.O.C.)
<http://www.joytech-jpc.com.tw> E-mail: sale@joytech-jpc.com.tw Tel.: +886 2 2358-2899 Fax: +886 2 2341-5778



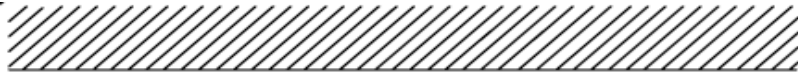
			6000K	3450 Lm ± 10%	115			
JPLILN4DMB (CE Listed) JPLILN4DLA-40 WSB (UL Listed)	40W	144pcs 2835 LEDs	3000K	4000 Lm ± 10%	100	105°	Frosted	YES
			4000K	4600 Lm ± 10%	115			
			5000K	4600 Lm ± 10%	115			
			6000K	4600 Lm ± 10%	115			
JPLILN4NMB (CE Listed) JPLILN4DLA-40 WSB (UL Listed)	40W	144pcs 2835 LEDs	3000K	4000 Lm ± 10%	100	105°	Frosted	NO
			4000K	4600 Lm ± 10%	115			
			5000K	4600 Lm ± 10%	115			
			6000K	4600 Lm ± 10%	115			

4. Installation

4.1 Cable-suspended Installation Instructions

4.1.1 Cable-suspended Installation Steps

1. Drill two desirable holes on the ceiling and the holes should match with M6-M8 self-tapping screw.



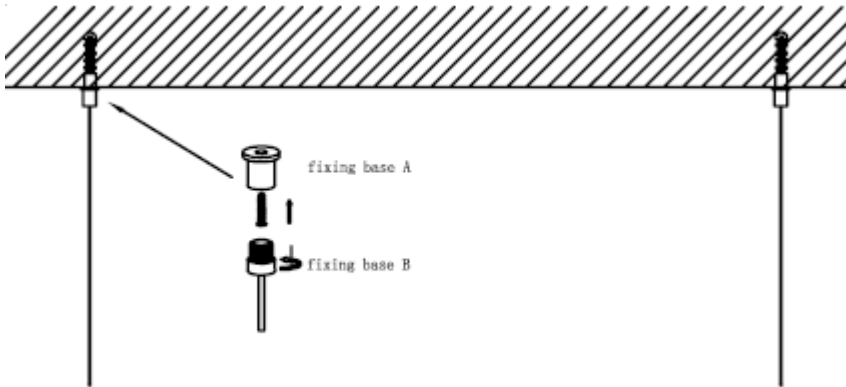
2. Tap the plastic expansion tube into the hole.



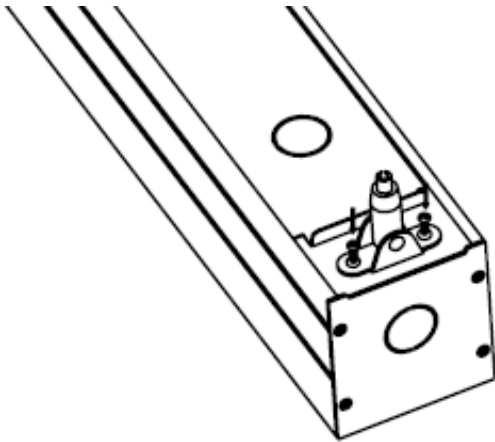
3. Let KA4*30 screws go through fixing base A and then tapped into plastic expansion tube. Rotate fixing base B into base A.



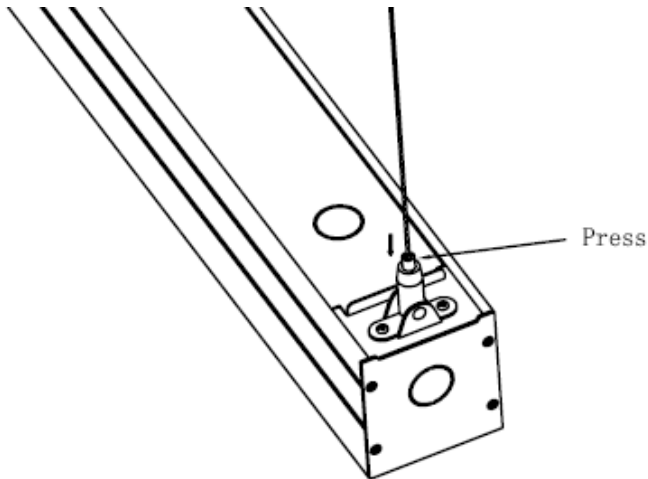
Joytech Products Co., Ltd.



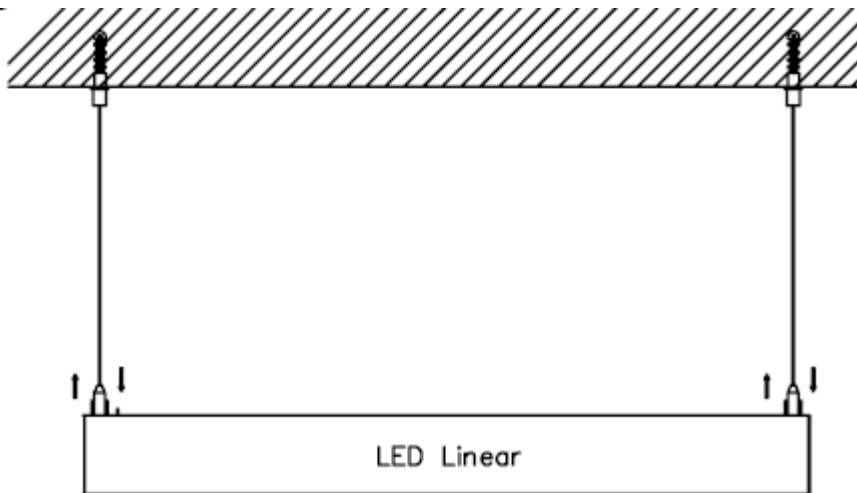
4. Attach flexible cable mounting bracket to fixture on two sides by using supplied PM3*8 screws.



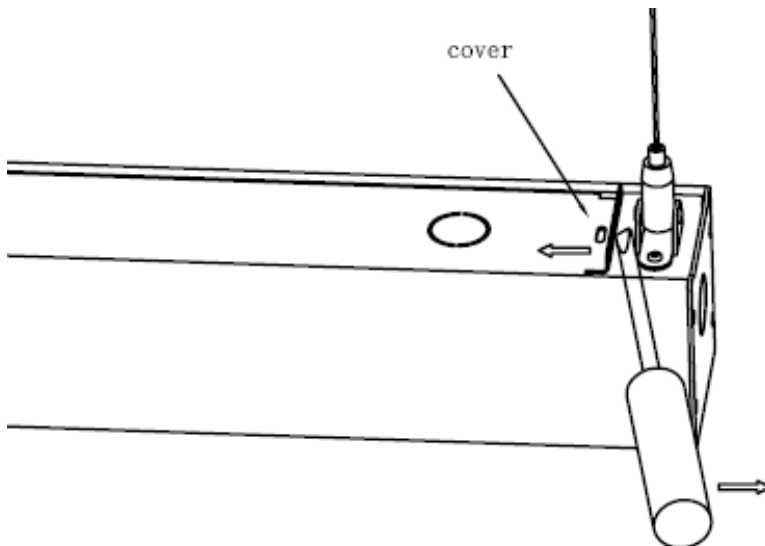
5. With 2 people, raise fixture next to ceiling. Press bracket and insert cable through holes.



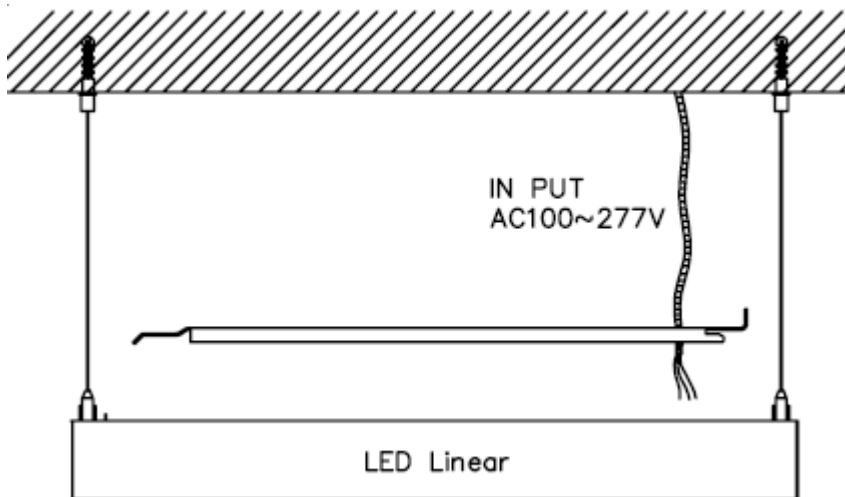
6. Adjust fixture according to requirement. The cable adjuster will automatically grip and hold the cable. Double check cable holds tightly.



7. Remove the cover by tools.



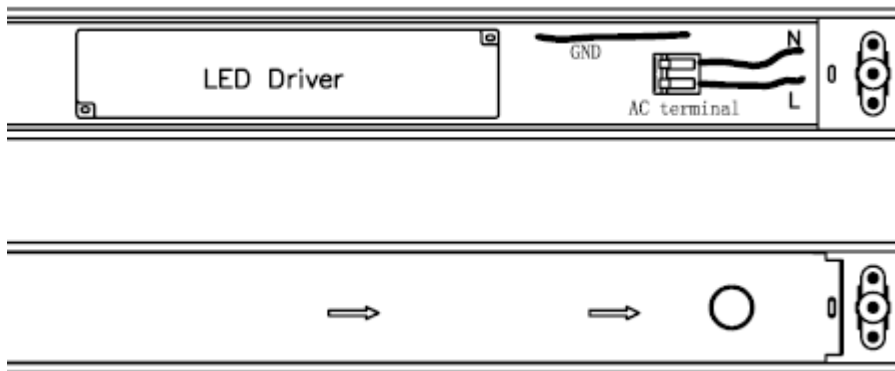
8. Break through the hole of the cover by cutting nipper. Put wire into fixture through wire tube.



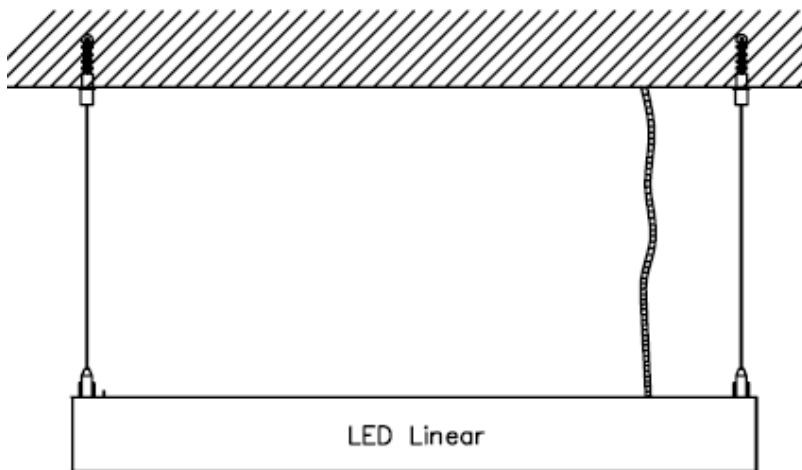


Joytech Products Co., Ltd.

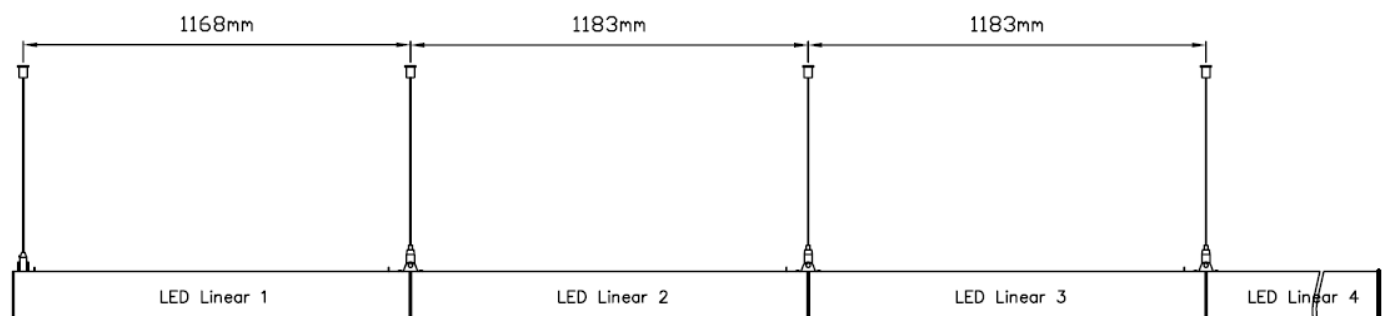
9. Connect N, L, and GND (Dimmable wire optional) well. After connection, put back the cover.



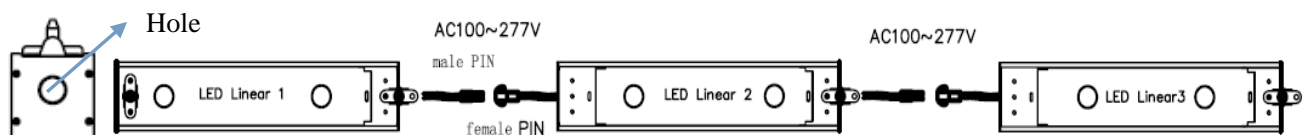
10. Installation finished.



4.1.2 Row Configurations



4.1.3 Chain-hanging Instructions



JOYTECH PRODUCTS CO., LED.

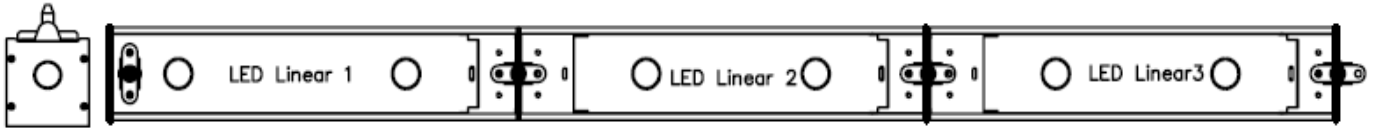
Add: 1F, No.15, Ln. 27, Sec. 3, Chongqing S. Rd. Zhongzheng Dist., Taipei City 10076, Taiwan (R.O.C.)

<http://www.joytech-jpc.com.tw> E-mail: sale@joytech-jpc.com.tw Tel.: +886 2 2358-2899 Fax: +886 2 2341-5778



Joytech Products Co., Ltd.

Break through the hole of the cover by cutting nipper. AC wire PIN connection



As shown above, lock bracket on one side of LED Linear 1, and then lock on the LED Linear2.

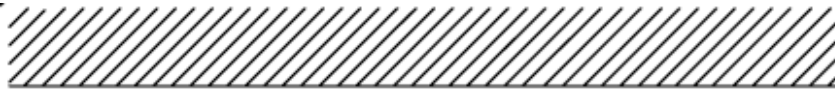
Notices:

- ▲Make sure power off before installation or disassembly.
- ▲Chain-hanging: LED Linear can be jointed together as needed, and the total number of fixtures should be no more than 7pcs (including 7pcs).

4.2 Surface-mounted Installation Instructions

4.2.1 Surface-mounted Installation Steps

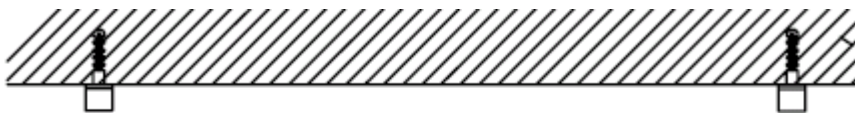
1. Drill two desirable holes on the ceiling and the holes should match with M6-M8 self-tapping screw.



2. Tap the plastic expansion tube into the hole.



3. Let screw KA4*30 go through ceiling bracket A and insert into plastic expansion tube.



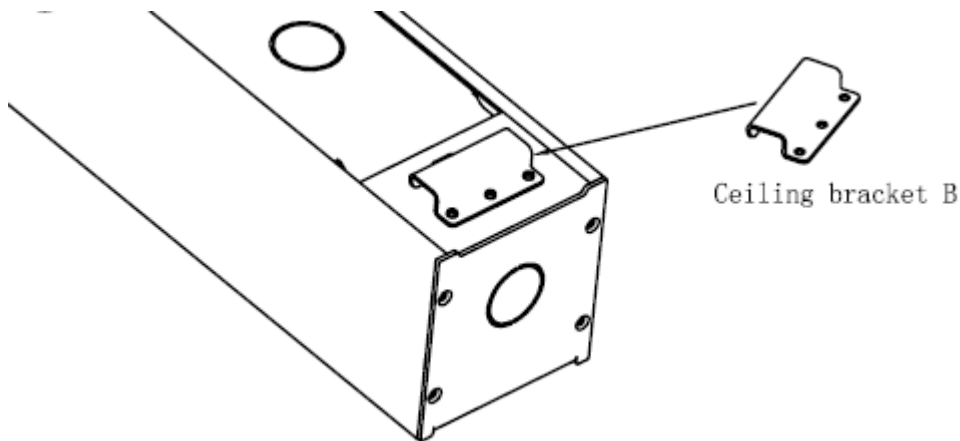
JOYTECH PRODUCTS CO., LED.

Add: 1F, No.15, Ln. 27, Sec. 3, Chongqing S. Rd. Zhongzheng Dist., Taipei City 10076, Taiwan (R.O.C.)

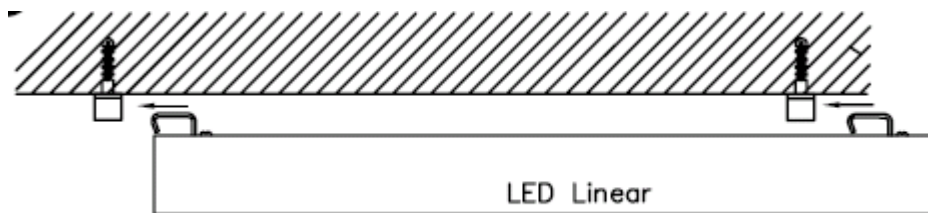
<http://www.joytech-jpc.com.tw> E-mail: sale@joytech-jpc.com.tw Tel.: +886 2 2358-2899 Fax: +886 2 2341-5778



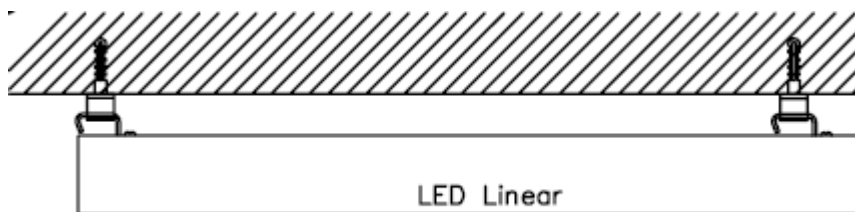
4. Fix ceiling bracket B to two sides' fixing holes well by using PM3*8.



5. Push linear into ceiling brackets a just as shown in the picture below.

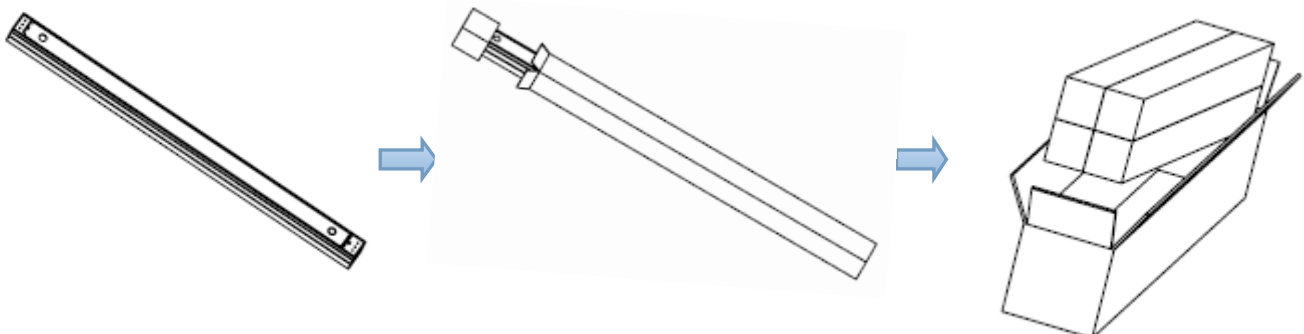


6. Installation finished.



5. Package

Item	Carton Dimension	Net Weight/Linear	Gross Weight	Q'ty
4 Ft	1260*200*195 mm	1.9 Kg	10.0 Kg	4 pcs.





6. Test Report (30W, 4000K)

