

Linear High Bay



Joytech Products Co., Ltd.

The linear high bay fixtures are ideal for replacing linear fluorescent fixtures and HID fixtures. These fixtures offer high lumen outputs, excellent color temperatures and long life. Mounting height can be 10-45'. Linear high bay is ideal solution for warehouse, industrial, gymnasium and other high bay applications.



Lumens per Watt
140

Features

- ◆ CRI≥80 PF>0.9 THD<20%
- ◆ Bonld's private mold, unique patent design
- ◆ Equivalent 100W led replace 250W metal halide or 300W HPS
- ◆ Tempered glass cover, high transmittance rate up to 95%
- ◆ AL6063-T5 aviation aluminum, excellent heat dissipation, high compressive strength.

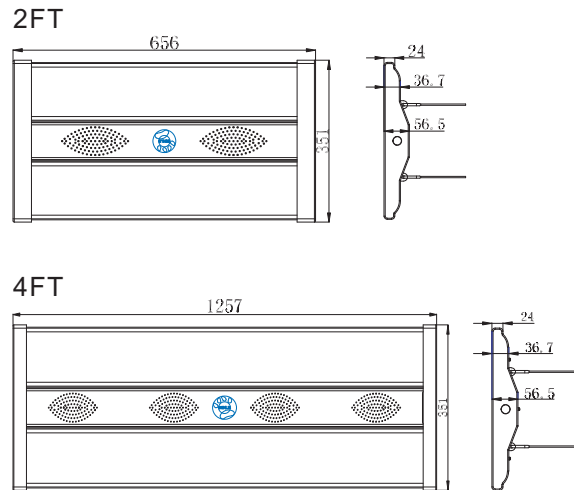
Certifications



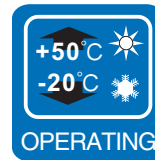
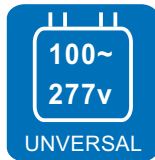
Applications



Dimensions



Product Specification



Model	Size(FT)	Power(W)	Light Source	CCT(K)	Lumen Output(lm)	Light Efficacy(lm/W)	CRI
JPLH06XUA-80WJ-SKFXB	2(656mm)	80	3030/5630	3000~5000	11200	140	≥80
JPLH06XUA-100WJ-SKFXB	2(656mm)	100	3030/5630	3000~5000	14000	140	≥80
JPLH06XUA-150WJ-SKFXB	2(656mm)	150	3030/5630	3000~5000	21000	140	≥80
JPLH12XUA-200WJ-SKFXB	4(1257mm)	200	3030/5630	3000~5000	28000	140	≥80
JPLH12XUA-250WJ-SKFXB	4(1257mm)	250	3030/5630	3000~5000	35000	140	≥80
JPLH12XUA-300WJ-SKFXB	4(1257mm)	300	3030/5630	3000~5000	42000	140	≥80

Linear High Bay

Installation Guide

Lifting

① Turn off the electric leakage protection switch

② Install the chain hoist to the lamps and lanterns

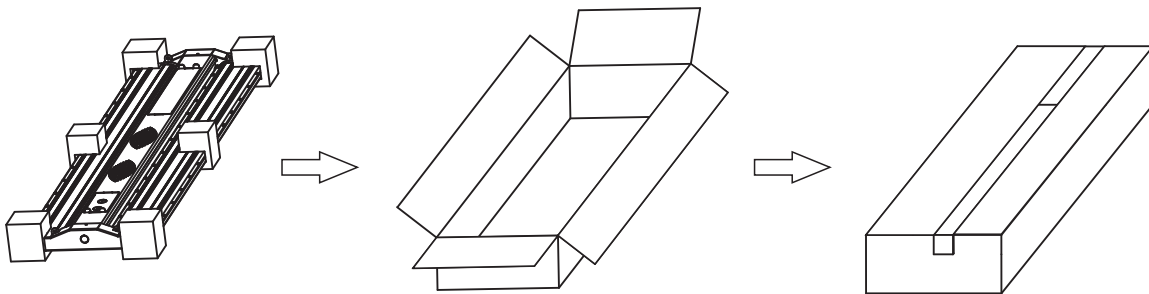
③ Connected to the mains L \ N \ G

④ Will be installed within the lamps and lanterns hung ceiling hook chain hoist

⑤ Open the leakage protection switch

Package

Item	Net Weight	Gross Weight	Carton Dimensions
2FT	6.5kg	7.8kg	700x385x105mm 1pc/CTN
4FT	11kg	12.6kg	1310x385x105mm 1pc/CTN



Warranty

- ◆ To prevent injury or damage to property, this product must be installed in accordance to National Electrical Code (NFPA70) in the US or Canadian Electrical Code (CSA 22.1) in Canada.
- ◆ Risk of fire or electric shock. The electrical rating of these products are 100-277 Vac, the installer must determine whether they have 100-277 V at the luminaire before installation.
- ◆ Risk of fire or electric shock. Linear High Bay installation requires knowledge of luminaires electrical systems. If not qualified, do not attempt installation. Contact a qualified electrician.
- ◆ To prevent wiring damage or abrasion, do not expose wiring to edges of sheet metal or other sharp objects.
- ◆ Disconnect power before installing the product or servicing it.
- ◆ Wait until fixture has cooled down before installing or servicing the fixture.
- ◆ Min. 90°C Supply Conductors
- ◆ Warranty Period assumes that the Products are operated for less than 8 hours per day.