



FEATURES

1. WRGB 4 color system performs a smooth and saturated color changing for many applications.
2. Exclusive design tooling model.
3. Aluminum extrusion body with heat dissipating design, the structure is lighter and compact.
4. Built with waterproof construction has the advantages of stability and high quality.
5. Special condensation valve design can get the hot air out and balance the temperate inside of housing
6. Easy maintenance with modular design led board.
7. The top cover apply with high strength plastic same as car front light, anti-UV material prevent it yellowing and brittle.
8. Compatible with D-1400-12CH for the dimming function.



5050 4 in1 LED

SPECIFICATION

Light	Power Consumption	Power Requirement	Color Temperature	Luminous Flux (Lm)	Efficiency (Lm/W)	LEDs	IP Rating	Beam Angle
JPMS-1	50W	24VDC 2.1A	R : 620nm, G : 520nm, B : 460nm, CW : 6000K	R : 350, G : 580, B : 160, CW : 850, ALL : 1840	36.8	5050 LED RGBW in 1 x 6 LED	IP 67	30° 50° 70°
JPMS-2	100W	24VDC 4.2A	R : 620nm, G : 520nm, B : 460nm, CW : 6000K	R : 700, G : 1160, B : 320, CW : 1700, ALL : 3680	36.8			

Fixture Warranty 1 Year

DRIVER

Compatible Driver	D1400-12CH (Dimmer)
DMX Cable Connector	20WG x 5C, Cable end with bare wire
Exit Cable Length	2M

ENVIRONMENT

Temperature Range -10°C ~ 40°C

HOUSING

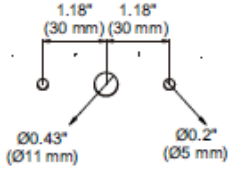
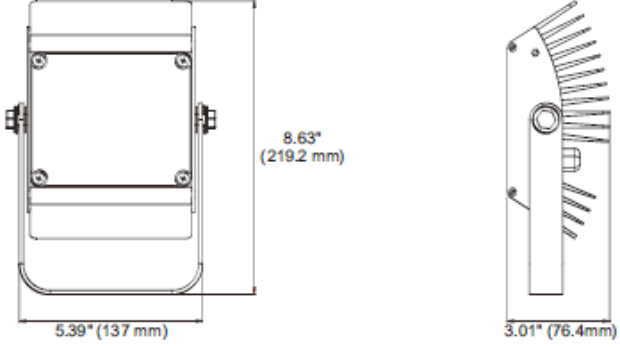
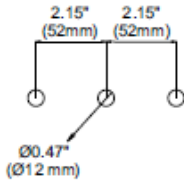
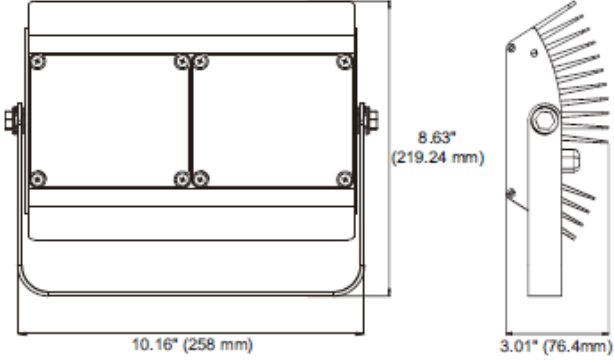
Color	Black
Lens	Optical Grade PMMA
Material	First Grade Aluminum, Weatherproof PC (UV-resistant)
Accessories	Hanging bracket

Remark:
Life Time based on LED manufacturers' test data. LED manufacturers predict LED life of up to 100,000 hours MTBF (mean time between failure). Consideration for determining useful life, in addition to MTBF, useful life affected by numerous environmental conditions such as ambient temperature, humidity and ventilation. LED will have long life performance when used under normal operating conditions [ambient temperature: -4°F to 104°F (-20°C to 40°C), humidity: 0-95% non-condensing humidity, adequate ventilation and air volume].

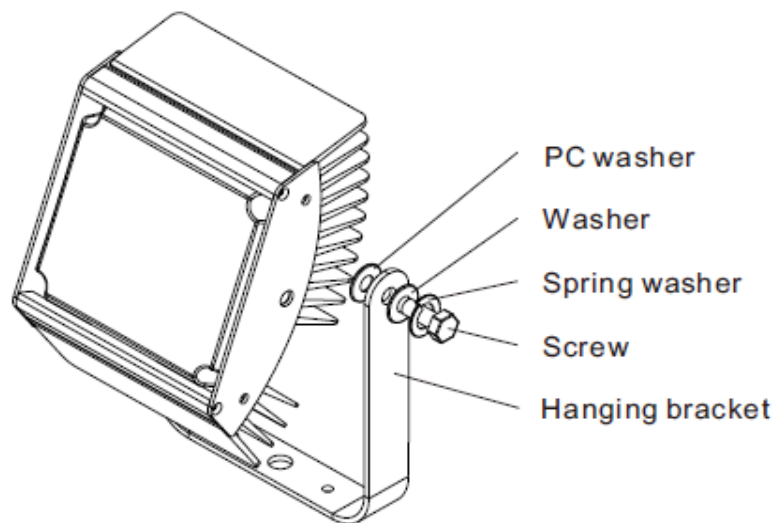
JPMS 4-colors

Floodlight 50~100W

DIMENSION

LIGHT	Installation Size	Dimension
JPMS-1 50W		 <p>Weight ≈ 1300 g</p>
JPMS-2 100W		 <p>Weight ≈ 2500 g</p>

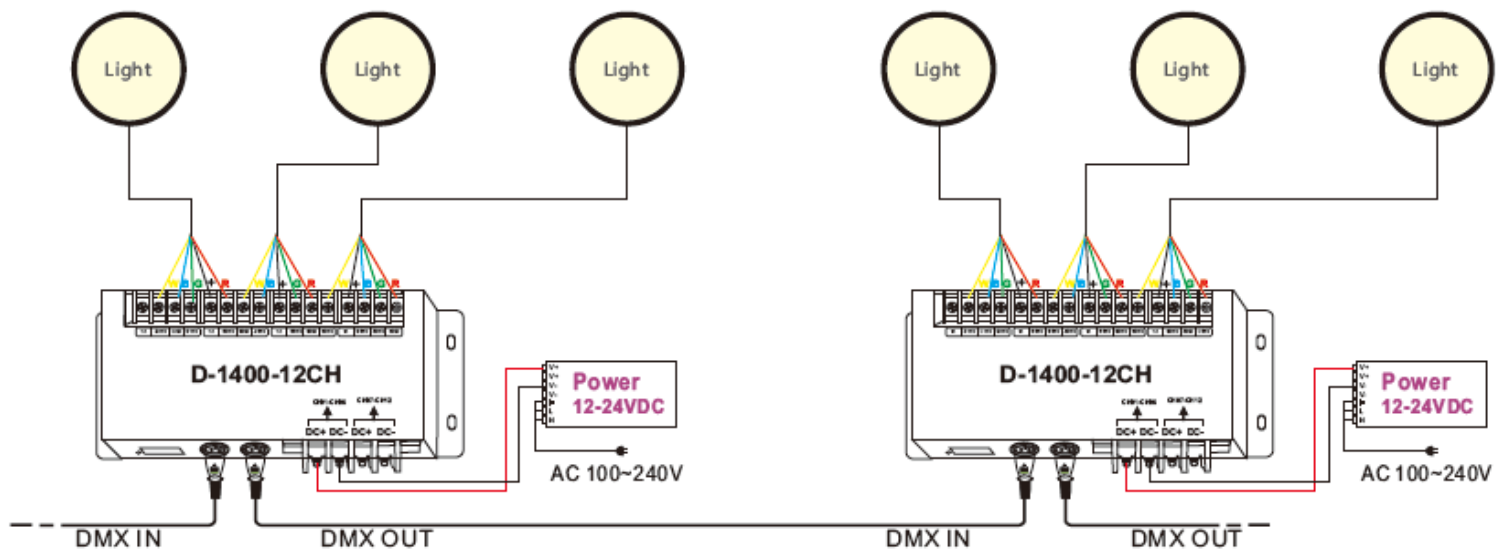
INSTALLATION



JPMS 4-colors

Floodlight 50~100W

WIRING CONFIGURATION



WARNING



SAFETY NOTICE FOR USING

1. Before starting use of the light, please check if the light was damaged during transportation. If any damage shown, please do not install or use it.
2. Any maintenance should be performed by trained professionals only.
3. Try to avoid looking directly in the LED beam especially for extended periods of time. Do not shine the LED light in another person's eyes.
4. Never cover the lights by other objects.
5. Never allow the light to come into contact with open flames or external heat sources.
6. Don't expose this product at the high temperature and high humidity environment.

SAFETY NOTICE FOR INSTALLATION

1. This product should be installed by qualified electricians.
2. Check integrity of the products when unpack the packing.
3. The distance between the light and any flammable materials must not be less than 20cm. The light must be installed with ventilated environment, not be installed with contain heat-insulating material.
4. When laying the cables, make sure that the cables and plugs are not subjected to any tensile or twisting forces. Fit the cable tension relieving mechanisms to the connection points of the surface-mounted lights. Do not kink cables.
5. Use only the LED drover included, and do not connect the surface-mounted lights to other loads.
6. Non-Professionals are not allowed to disassemble and maintain the products. We have the right not to provide after-sale service if unauthorized disassembly and maintenance happens.

ORDER INFORMATION

PHOTO	TYPE	MODEL	EXPLANATION
	DMX Dimmer	D-1400-12CH	DMX Decoder converts the universal standard DMX512 signal into PWM signal to drive LEDs. This compact decoder work with DMX512. Console, with 256 levels gray scale output per channel.
	DMX Control Panel	ORBIT TP	Touch panel interface able to control with multiple groups. Built in program (11 pre-set static colors, 7 pre-set fading modes). Able to adjust speed and brightness with IR remote control

JOYTECH PRODUCTS CO., LTD.

1F, No.15, Lane 27, Sec. 3 Chung-king South Rd., Taipei 100, Taiwan, R.O.C.

Tel: 886-2-23582899 Fax: 886-2-23415778

E-Mail: sales@joytech-jpc.com.tw Website: www.joytech-jpc.com.tw