



Joytech Products Co., Ltd.

JPWL - 20W10S - 230S2

LED Corn light



General illumination
Outdoor use in outdoor luminaires only (minimum Ip65)
Reduces lumen maintain flux and working life if used
in sealed lamp fixtures. ①

Product features

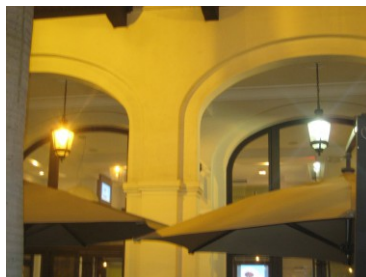
- Unique structure design, removable power supply and light source (easier for power supply and light source replacement if needed).
- Aluminum fin-shape heat sink and active air exchanges cooling system in order to speed up heat dissipation.
- No UV and near-IR radiation in the light beam.
- The lamp has very low power consumption and low thermal dissipation.
- Not suitable for dimmer, electronic switches and remote control.
- Can easily fit and instead ordinary bulb lights.
- Mainly used in working places, supermarkets and public lighting.

Applications

Wall



Aisle



Office



Technical data

Electrical data

Rated wattage	20-24 W
Input Voltage	100-277V AC (AC90-305V is available)
Operating frequency	50/60 Hz
Rated power factor	>0.9
Power Efficiency	>0.87
Humidity	<90%
Ambient temperature	-40~45°C
Base (standard designation)	E26/E27/E39/E40
Replacement conventional lamp power	40W CFL
Dimmable	NO

Light technical data

Light source/count	230pcs. 2835 SMD LED
Luminous flux	2400 Lm
Color temperature	Warm White: 2500 - 3500K Natural White: 4000 - 5000K Cool White: 5500 - 6500K
Color rendering index Ra	Ra > 80
Star ting time	0 sec.
LED emitter life	50000 hrs.
Lifespan of LED lamp	35000 hrs.

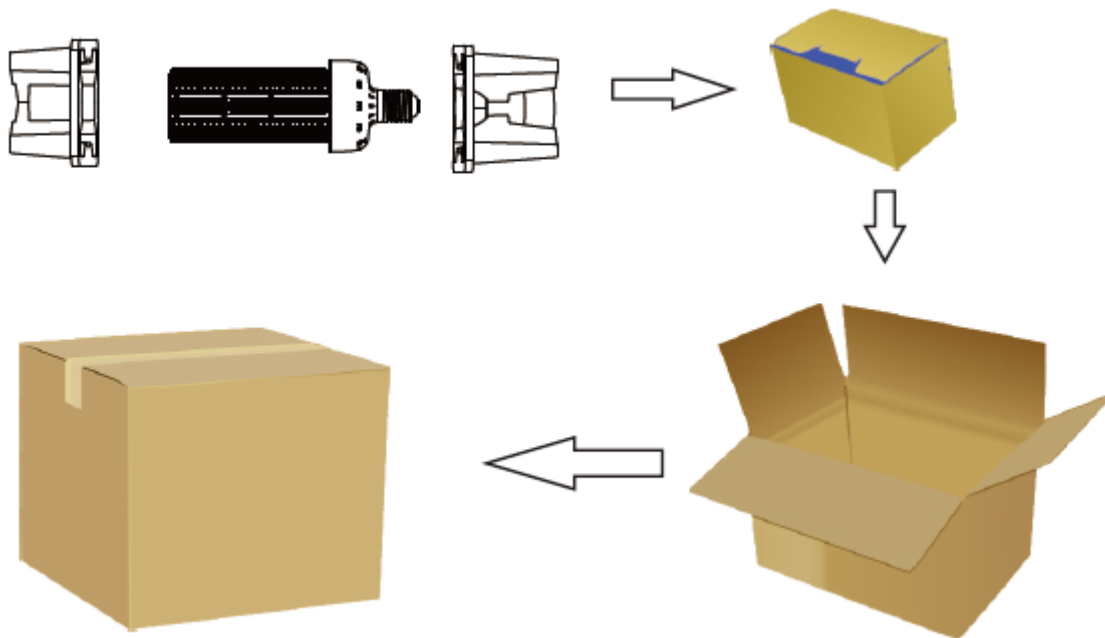
Dimension & Weight



Base	E26/E27	E39/E40
Overall	166mm	173mm
Diameter	73mm	
N.W.	230g	250g

Logistical Data

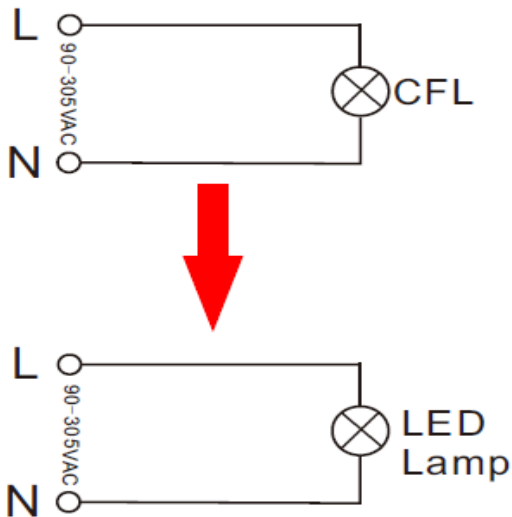
Package



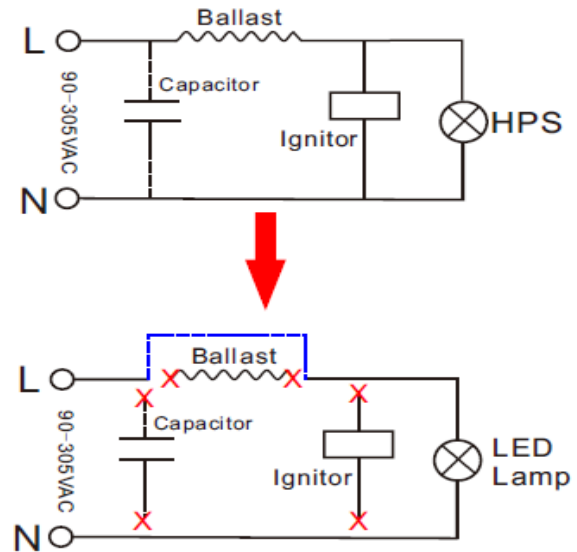
Packaging unit (Pieces/Unit)	Dimensions	Gross weight	Volume
Small box	20.2*10.8*9.5cm	E26/E27	0.002m ³
		300g	
Outer carton	44*39*41cm	10.6Kg	0.07m ³

Installation

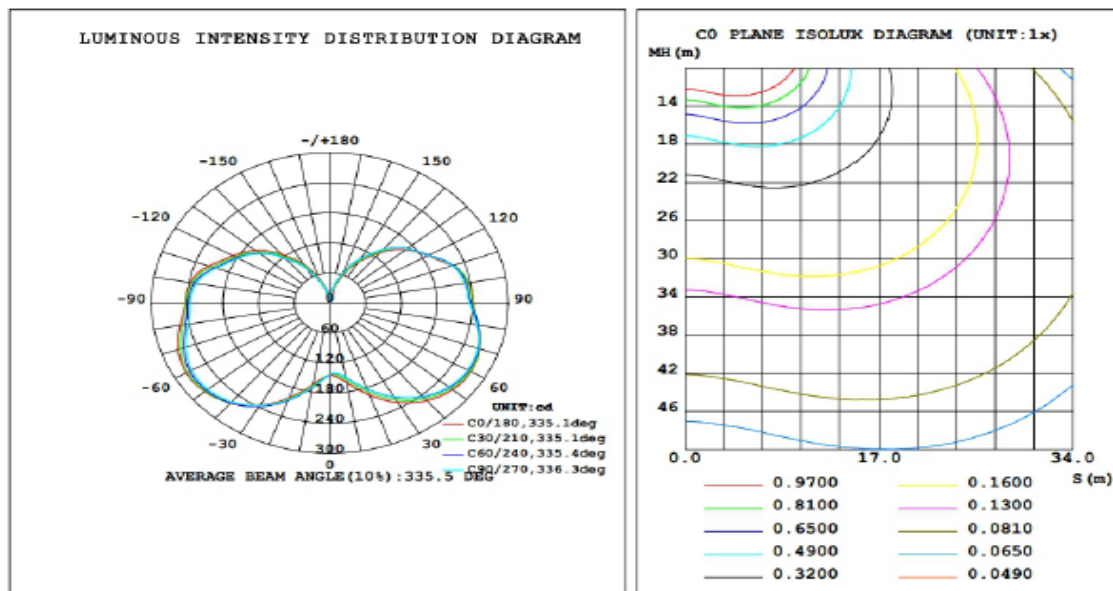
Replace CFL



Replace HPS



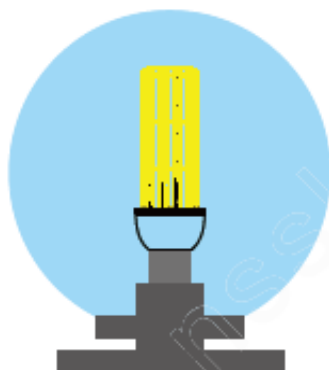
Light Distribution Diagram



Attention-1

When the products are used in the outdoor lighting, ensure the space is waterproof and well ventilated. Pay attention to the size of the confined space. Ensure the lamp has enough space for heat dissipation which ensures lumen maintenance and extends its working life.

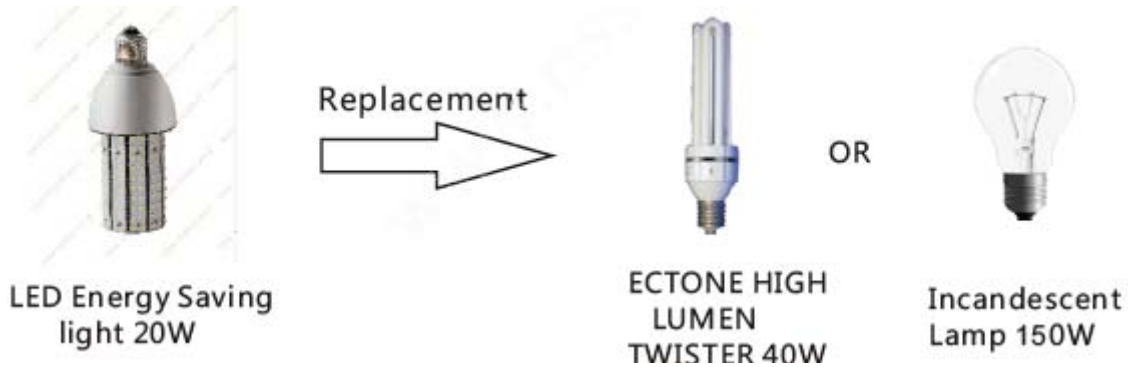
As shown below for your reference



When 20W warehouse light is used in confined space, the diameter must be more than 30cm.

Attention-2

Key benefits of comparison	LED energy saving light 20W	Ectone high lumen twister 40W	Incandescent lamp 200W
Luminous Flux (Lm)	2400	2200	2250
Efficiency (Lm/W)	120	55	15
Better color appearance measured in color rendering index	83	80	98
Wide Color Availability in CCT (Kelvin)	2500-6500	2500-6500	2500
Star ting time, quick start (min)	0	3	0
The life of the lamp (H)	35000	8000	5000



Additional product data

All technical parameters apply to the entire lamp/Due to the complex production process for light-emitting diodes; the typical values shown for the technical LED parameters are purely statistical values that do not necessarily match the actual technical parameters of each individual product, which can vary from the typical value.

Disclaimer

Subject changes without notice except errors and omission. Always make sure to use the most recent release.

JOYTECH PRODUCTS CO., LTD.

1F, No.15, Lane 27, Sec. 3 Chung-king South Rd., Taipei 100, Taiwan, R.O.C.

Tel: 886-2-23582899 Fax: 886-2-23415778

E-Mail: sales@joytech-jpc.com.tw Website: www.joytech-jpc.com.tw