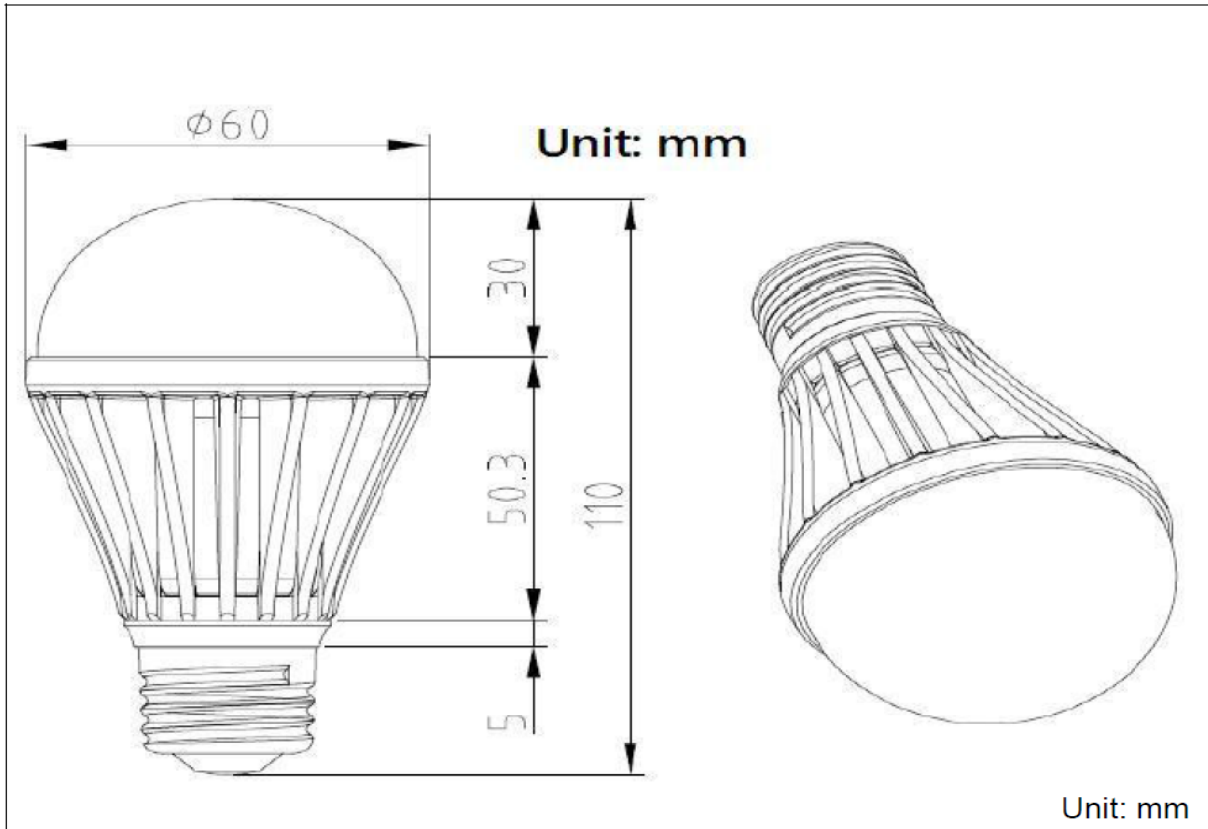




Joytech Products Co., Ltd.



Physical Properties				
Model	Type	Base	Size	Weight
JP-X90L	A19	E26	Ø60 x 110mm	125g
Electrical Properties				
Input Voltage	Current	Frequency	Input Power	Dimmable
100~277V	0.12A	50/60Hz	14.2W	Non
Lighting Facts				
Color temp.	Luminance	Luminance eff.	Life time	
2700K	1420 Lm	100 Lm/W	40000 Hrs	

Physical Properties				
Model	Type	Base	Size	Weight
JP-X100L	A19	E26	Ø60 x 110mm	125g
Electrical Properties				
Input Voltage	Current	Frequency	Input Power	Dimmable
100~277V	0.14A	50/60Hz	16.0W	No
Lighting Facts				
Color temp.	Luminance	Luminance eff.	Life time	
2700K	1650 Lm	103 Lm/W	40000 Hrs	

Physical Properties				
Model	Type	Base	Size	Weight
JP-X125L	A19	E26	Ø70 x 132mm	125g
Electrical Properties				
Input Voltage	Current	Frequency	Input Power	Dimmable
100~277V	0.18A	50/60Hz	20.7W	No
Lighting Facts				
Color temp.	Luminance	Luminance eff.	Life time	
2700K	2080 Lm	100 Lm/W	40000 Hrs	

Warnings:

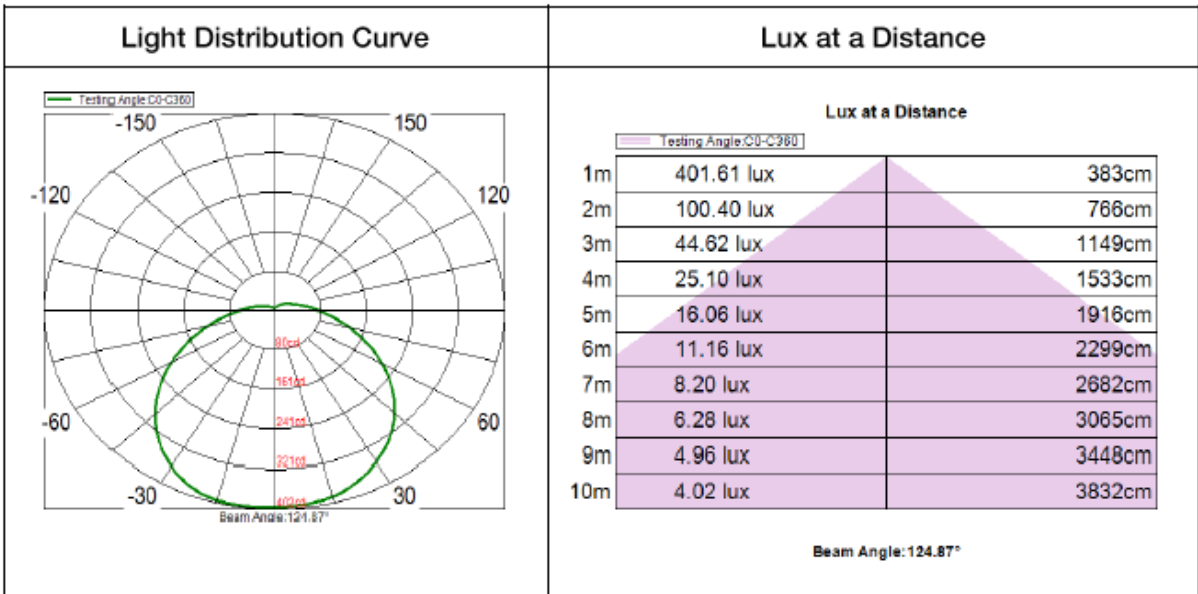
1. Please do not wash or disassemble this product.
2. Do not with dimmers, times, or other control devices.
3. Please do not use direct current.
4. Do not cover this product with paper or cloth, or put it close to anything easy to burn; otherwise fire may occur.
5. Turn off the power before attaching or detaching a lamp to/from a lighting fixture, or before cleaning a lighting device; otherwise, you may have an electric shock.
6. The color and brightness of bulbs with same model name may be slightly different.
7. The designed lifetime is the estimated time this bulb to decade to 70% of original brightness. It is not warranty lifetime.

Please pay attention to the followings before you purchase this product:

1. Do not use with dimmable fixtures.
2. Do not use with remote controlled fixtures.
3. Do not in fixtures for emergency.
4. Do not use in fixtures for mercury lamps, HID lamps, or Metal halide lamp.

Caution:

1. Do not use this product in a way of being exposed to rain or raindrop, nor at a high level of humidity; otherwise, may it be damaged.
2. Do not drop a lamp, nor have it hit some object, nor put a heavy load on it, nor apply any excessive pressure.
3. Does not touch a lamp with your hand or skin when it is on or soon after it is turned off because it is not; otherwise, you may have a burn.
4. Attach this product to a socket firmly; otherwise, it may drop off, or may overheat or emit smoke due to bad contact.
5. Use this product in the range of -22°F~122°F (-30°C~50°C)
6. If a lamp does not normally light, e.g., if it flashes sporadically, turn off the power and replace the lamp.
7. Do not look at LED lamp directly.
8. Do not spray a pesticide over this lamp.



JOYTECH PRODUCTS CO., LTD.

1F, No.15, Lane 27, Sec. 3 Chung-king South Rd., Taipei 100, Taiwan, R. O. C.

Tel: 886-2-23582899 Fax: 886-2-23415778

E-Mail: sales@joytech-jpc.com.tw Website: www.joytech-jpc.com.tw