



## HALL LIGHT 120W / 150W

### Description

The New Hall Light is the perfect combination of high-performance LEDs and high-efficiency driver manufactured in Taiwan. With in-house design sophisticated optical lens, it performs efficiently and provides quality and comfortable light for various industrial and recreational purposes. It also has the versatility to be used both in the indoor and outdoor areas with IP66 protection. The New Hall Light offers customers an aesthetic design with exceptional performance and high reliability.



### Feature

- High system efficacy up to 140 lm/W.
- CCT option available for 3000K, 4000K, 5000K, 6500K.
- Temperature range -30°C to +50°C.
- No IR- and UV radiation, low heat radiation.
- 1~10V dimmable option available.
- LED lifetime (L<sub>70</sub>) @55°C 60000hrs.
- Replace PSU easily by plug and play cable.
- Low UGR (<19) available on request.

### Benefit

- Significant energy savings
- Flexible LED configurations

### Electrical System

- Input voltage 100-277 V
- Frequency 50/60 Hz
- Power consumption 120 W / 150 W
- Power consumption tolerance ± 10 %

### Application

- Industrial lighting
- Outdoor lighting
- Area lighting



## Model Name Description

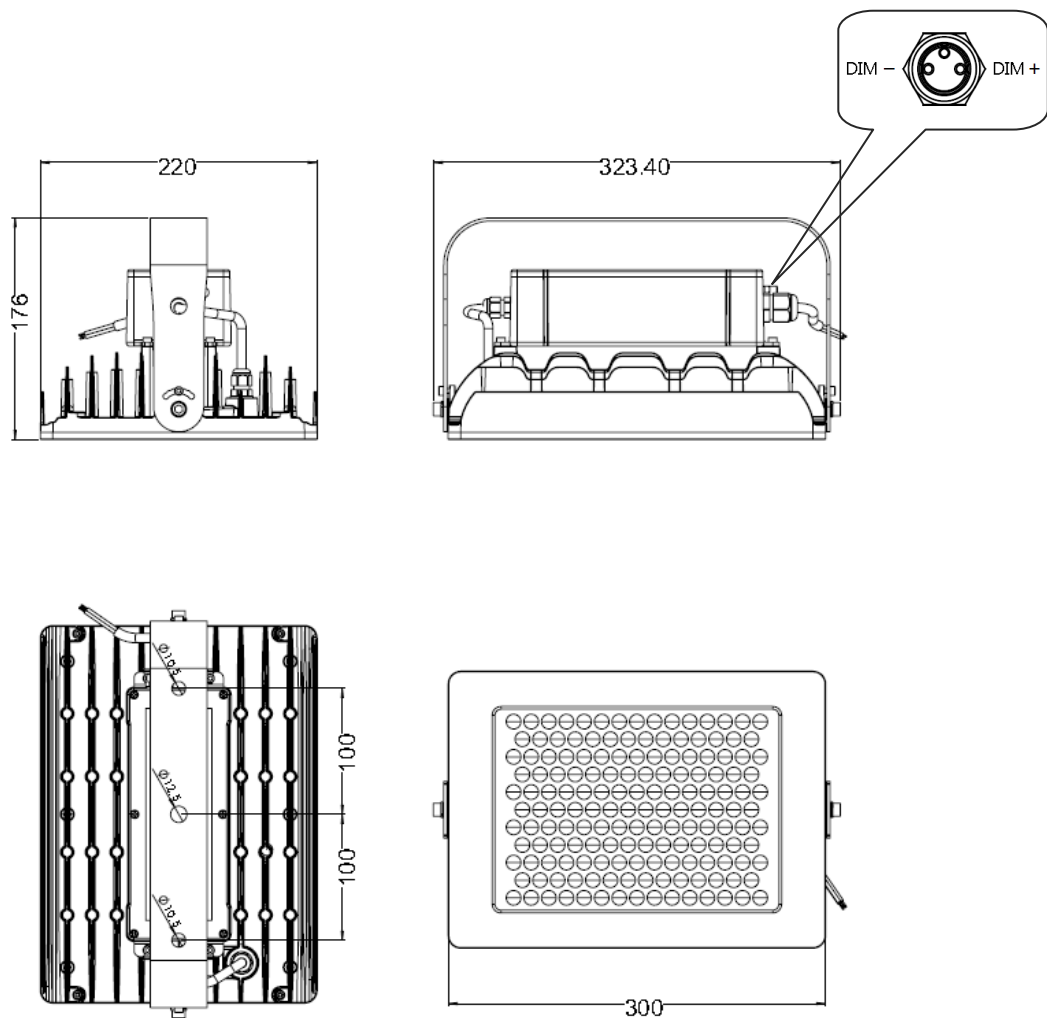
Example : HLC-120SPP-HTN-O2WDA2C8

Product Group	Input Power	Standard	Input Voltage	LED Type	CCT	Beam Angle	CRI
HLC	120 150	S-non Plug & Play SPP-Plug & Play	HTN HTDN	T6 O2	WW-3000K WN-4000K WD-5000K WC-6500K	50G-50 (Low UGR) A2-120 TA-60/90	C8-80

## Product Dimension

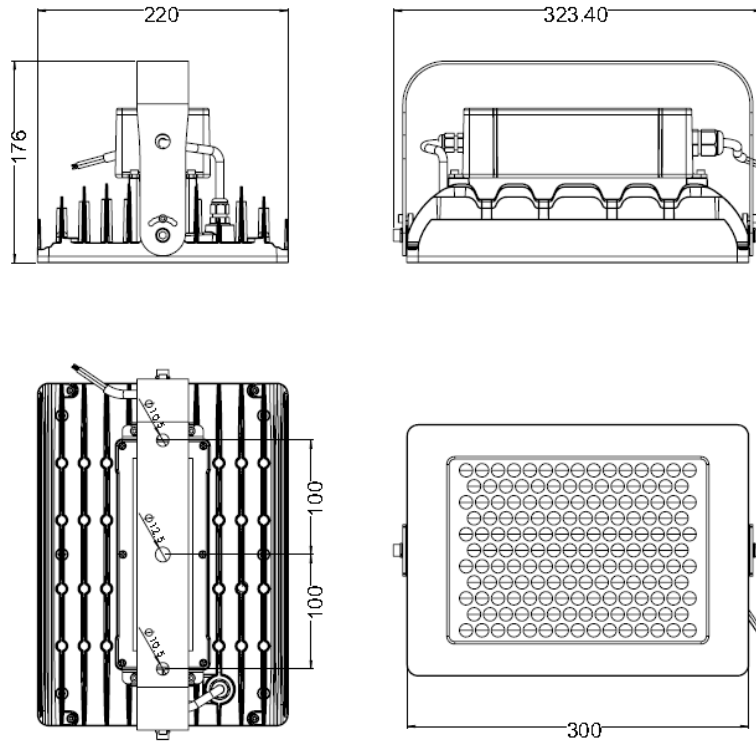
1.HLC-1XXS-HTDN-XXccyyCx

➤ Dimension : 323.4x220x176mm / Weight : 4.1Kg



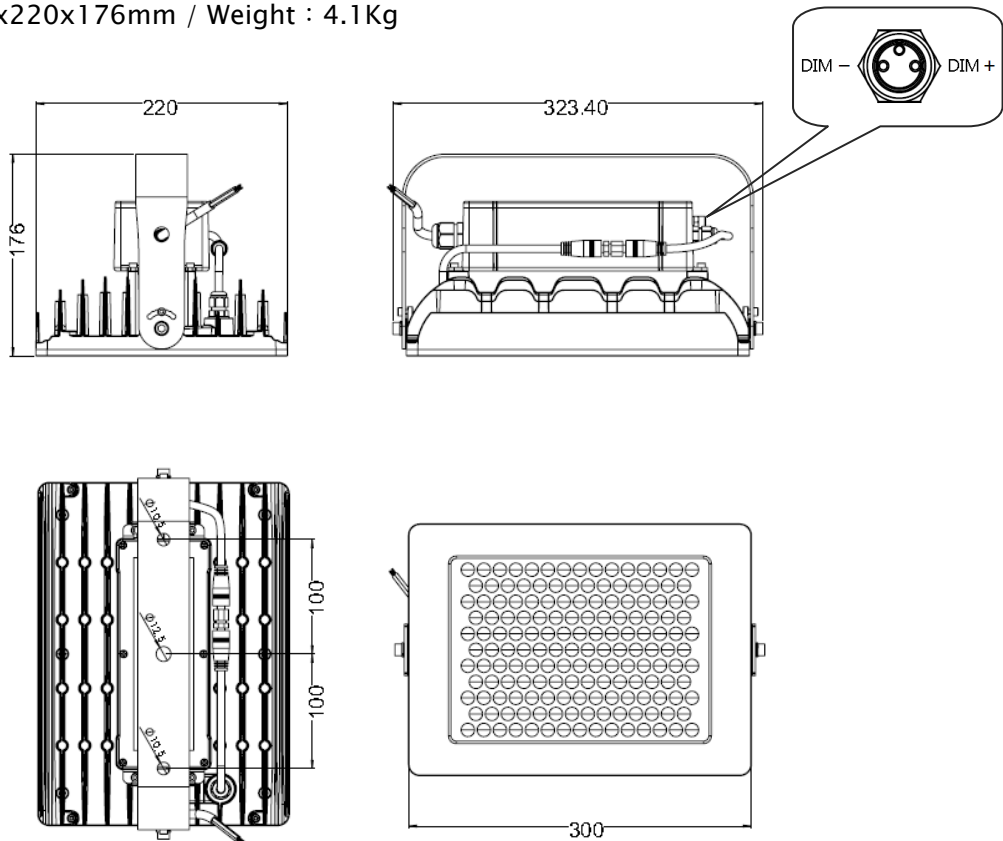
## 2.HLC-1XXS-HTN-XXccyyCx

➤ Dimension : 323.4x220x176mm / Weight : 4.1Kg



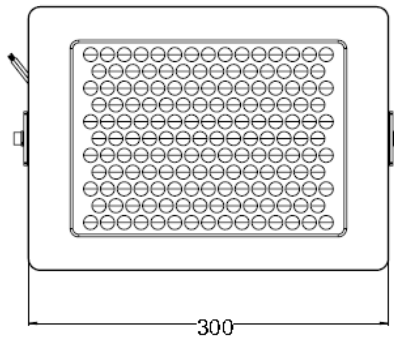
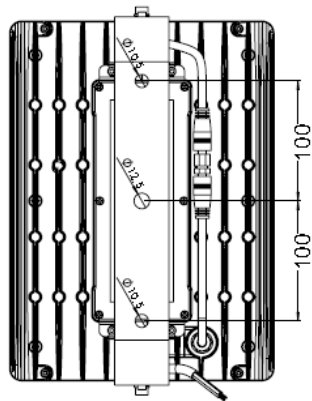
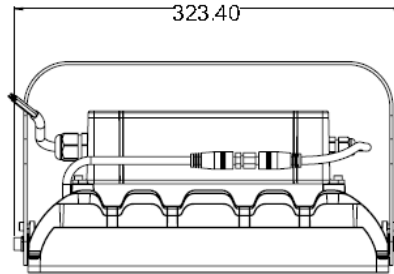
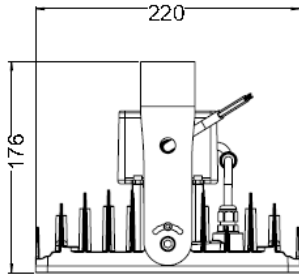
## 3.HLC-1XXSPP-HTDN-XXccyyCx

➤ Dimension : 323.4x220x176mm / Weight : 4.1Kg



4.HLC-1XXSPP-HTN-XXccyyCx

➤ Dimension : 323.4x220x176mm / Weight : 4.1 Kg



Flood Light with SPO Frame



SPO Frame

## Product Specification

Product Name	CCT (Typ.) (K)	Viewing Angle at 50% Iv (°)	Color Rendering Index (CRI)	Typical Luminous Flux (lm)	Efficacy (lm/W)
HLC-120S(PP)-HT(D)N-O2WCA2C8	6500	120	> 80	17000	141
HLC-120S(PP)-HT(D)N-O2WDA2C8	5000	120	> 80	17000	141
HLC-120S(PP)-HT(D)N-O2WNA2C8	4000	120	> 80	17000	141
HLC-120S(PP)-HT(D)N-O2WWA2C8	3000	120	> 80	15300	127
HLC-120S(PP)-HT(D)N-T6WC50GC8	6500	50	> 80	16500	137
HLC-120S(PP)-HT(D)N-T6WD50GC8	5000	50	> 80	16500	137
HLC-120S(PP)-HT(D)N-T6WN50GC8	4000	50	> 80	16500	137
HLC-120S(PP)-HT(D)N-T6WW50GC8	3000	50	> 80	14800	123
HLC-120S(PP)-HT(D)N-T6WCTAC8	6500	60/90	> 80	16500	137
HLC-120S(PP)-HT(D)N-T6WDTAC8	5000	60/90	> 80	16500	137
HLC-120S(PP)-HT(D)N-T6WNTAC8	4000	60/90	> 80	16500	137
HLC-120S(PP)-HT(D)N-T6WWTAC8	3000	60/90	> 80	14800	123
HLC-150S(PP)-HT(D)N-O2WCA2C8	6500	120	> 80	21000	140
HLC-150S(PP)-HT(D)N-O2WDA2C8	5000	120	> 80	21000	140
HLC-150S(PP)-HT(D)N-O2WNA2C8	4000	120	> 80	21000	140
HLC-150S(PP)-HT(D)N-O2WWA2C8	3000	120	> 80	18900	126
HLC-150S(PP)-HT(D)N-T6WC50GC8	6500	50	> 80	20300	135
HLC-150S(PP)-HT(D)N-T6WD50GC8	5000	50	> 80	20300	135
HLC-150S(PP)-HT(D)N-T6WN50GC8	4000	50	> 80	20300	135
HLC-150S(PP)-HT(D)N-T6WW50GC8	3000	50	> 80	18200	122
HLC-150S(PP)-HT(D)N-T6WCTAC8	6500	60/90	> 80	20300	135
HLC-150S(PP)-HT(D)N-T6WDTAC8	5000	60/90	> 80	20300	135
HLC-150S(PP)-HT(D)N-T6WNTAC8	4000	60/90	> 80	20300	135
HLC-150S(PP)-HT(D)N-T6WWTAC8	3000	60/90	> 80	18200	122

Note1 : Tolerance wattage and light output will be +/- 10% at cold stage, measured @ Ta 25°C.

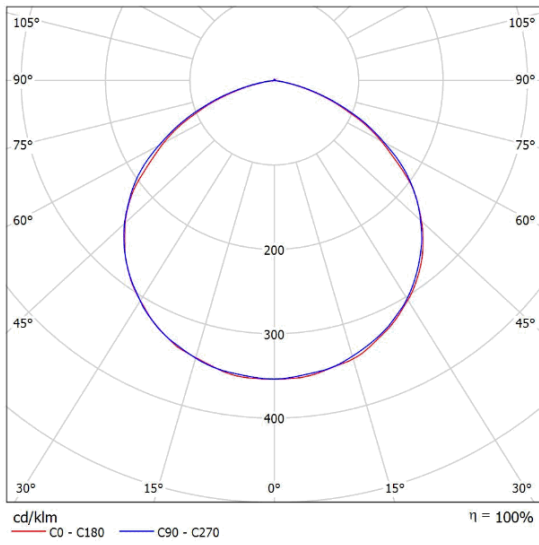
Note2 : Light output will be typically 7% lower at steady stage (1 hour).

# Photometry

## Polar Diagram

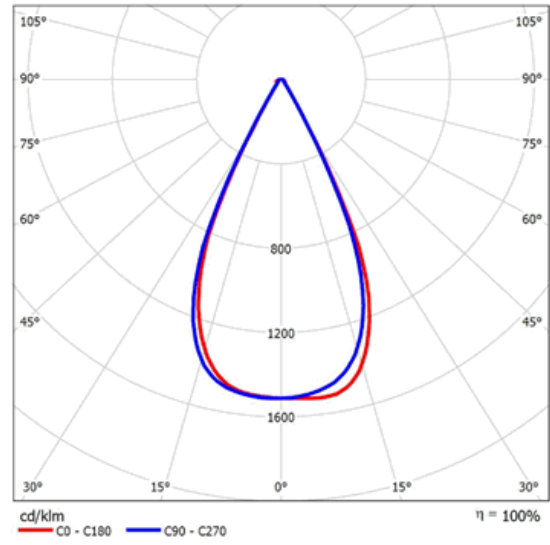
HLC-1XXS(PP)-HT(D)N-O2ccA2Cx

Half Beam Angle : 120°



HLC-1XXS(PP)-HT(D)N-T6cc50GCx

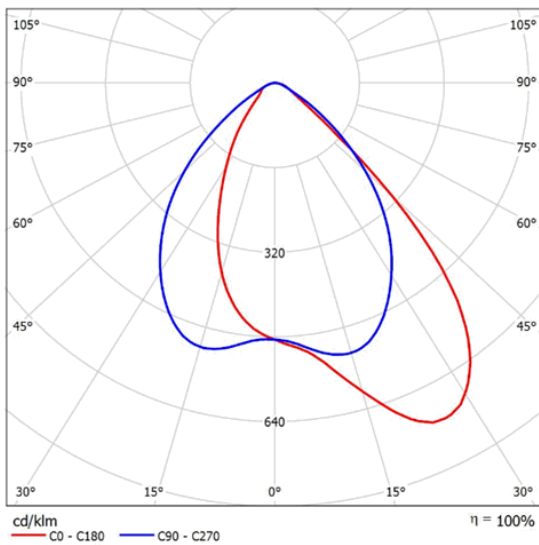
Half Beam Angle : 50° (Low UGR)



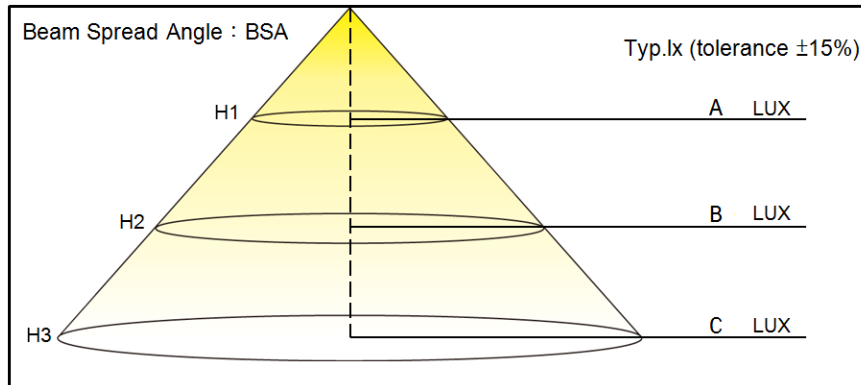
HLC-1XXS(PP)-HT(D)N-T6ccTACx

Half Beam Angle C0-C180 : 60°

Half Beam Angle C90-C270 : 90°



## Illumination Map



### ➤ HLC-120S(PP)-HT(D)N-XXccyyC8

Viewing Angle at 50% Iv (°)	CCT (Typ.) (K)	Color Rendering Index (CRI)	Height (m)	Illuminance (Lux)
120	5000	> 80	3	614
			6	153
			9	68
120	3000	> 80	3	552
			6	138
			9	61
50	5000	> 80	3	1969
			6	492
			9	218
50	3000	> 80	3	1772
			6	443
			9	196
60/90	5000	> 80	3	761
			6	190
			9	84
60/90	3000	> 80	3	685
			6	171
			9	76

➤ HLC-150S(PP)-HT(D)N-XXccyyC8

Viewing Angle at 50% Iv (°)	CCT (Typ.) (K)	Color Rendering Index (CRI)	Height (m)	Illuminance (Lux)
120	5000	> 80	3	768
			6	192
			9	85
120	3000	> 80	3	691
			6	172
			9	76
50	5000	> 80	3	2462
			6	615
			9	273
50	3000	> 80	3	2215
			6	554
			9	246
60/90	5000	> 80	3	950
			6	237
			9	105
60/90	3000	> 80	3	855
			6	214
			9	95

## Type of Led Driver

Model : LUX2D-150-48-N (Non-Dimmable)

LUX2D-150-48-D (Dimmable)



AC Input : 100-277Vac, 50-60Hz

DC Output : 150W ; 48Vdc



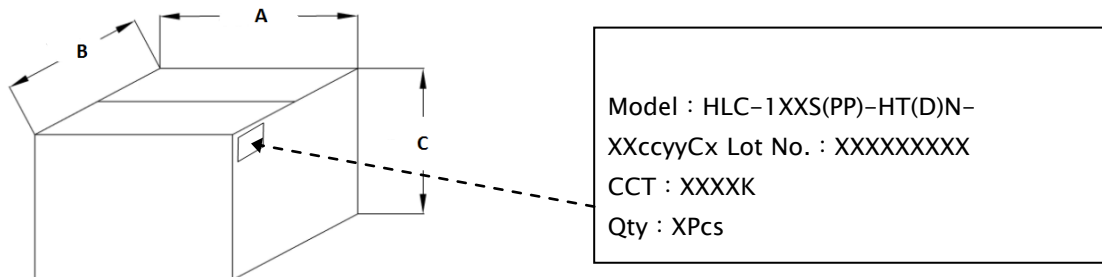
## Product Packing

### Packing Detail

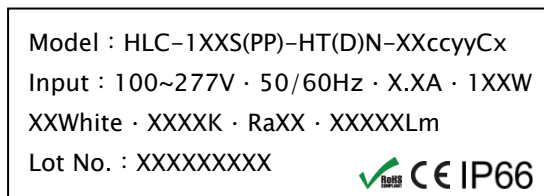
Model	Inner Box Dimensions	Carton Dimensions	Quantity / Carton (Pcs)	Weight / Carton (Kg)
	(L x W x H, mm)			
HLC-1XXS(PP)-HT(D)N	—	360x295x190	1	5.0

Model	Pallet Dimensions (L x W x H, mm)	Weight / Pallet (Kg)	Quantity / Pallet (Pcs)	Quantity / Container 20" (Pcs)	Quantity / Container 40" (Pcs)
HLC-1XXS(PP)-HT(D)N	1100x1300x1860	548	108	864	1656

### Carton



### Label Information



### Rating Label