



Joytech Products Co., Ltd.

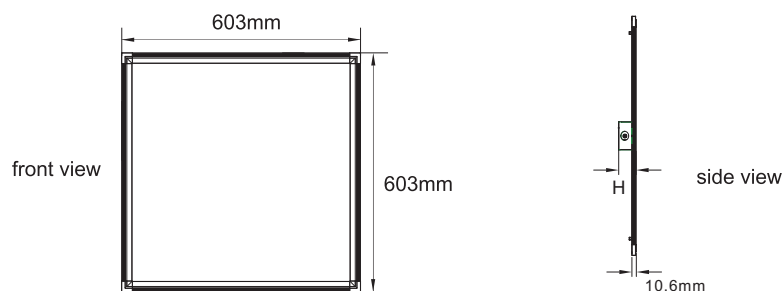
UL LED Panel Light (DLC4.0 Standard&Premium 347V Driver)



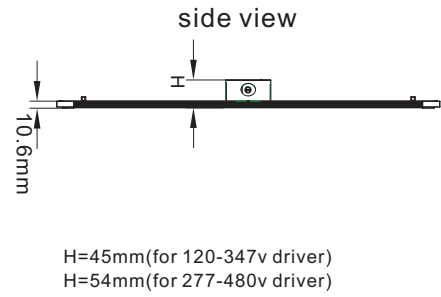
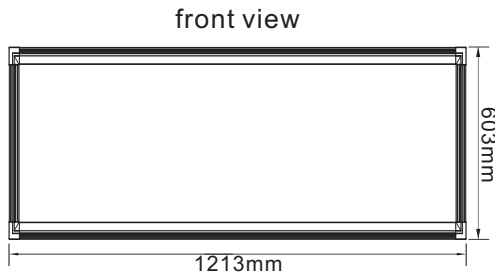
Product Description

- Lifud's LED Driver with UL/cUL# E338140, Longood's LED Driver with UL/cUL# E338513 .
- PF>0.90, Power Efficiency > 0.88, CRI > 80;
- Perfect Light Uniformity, LM-80-rated SMD2835 LED Chips, Up to 100LM/W or 125 LM/W;
- Saving more than 75% energy compared with traditional grid fixtures.
- Light Guide Plate in 3mm thickness, imported from Taiwan;
- Approved from DLC ,UL/cUL#E471997, ROHS, etc.
- 5 years warranty.

Dimension



H=45mm(for 120-347v driver)
H=54mm(for 277-480v driver)



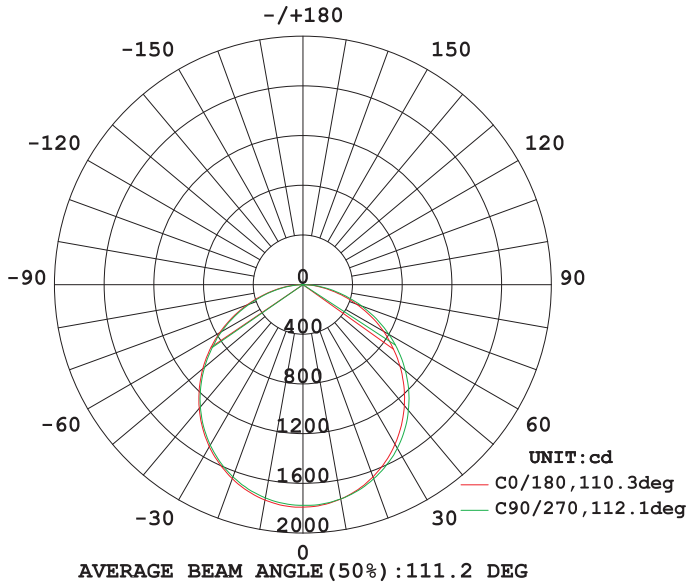
Product Specification

Size(Ft)	2X2		2X4	
Power Consumption(W)	40		60	
Lumen Output(LM)	4200±5%	5000±5%	6300±5%	7500±5%
CCT(K)	3045±175K 4503±243K	3465±245K 5028±283K	3985±275K	
Light Efficacy (lm/W)	105±5%	125±5%	105±5%	125±5%
Color Rendering Index(CRI)	80		80	
AC Input Rating(Vac)	AC 120-347V 50/60Hz AC 277-480V 50/60Hz		AC 277-480V 50/60Hz	
Dimming(Non-dimming,0-10V)	Option		Non-dimming	
PF	0.90		0.90	

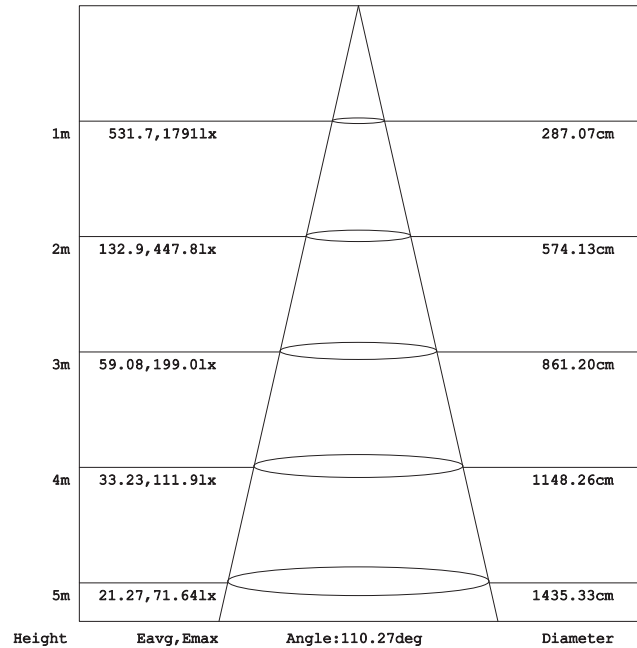
Photometric Data&Diagram

2X2

LUMINOUS INTENSITY DISTRIBUTION DIAGRAM



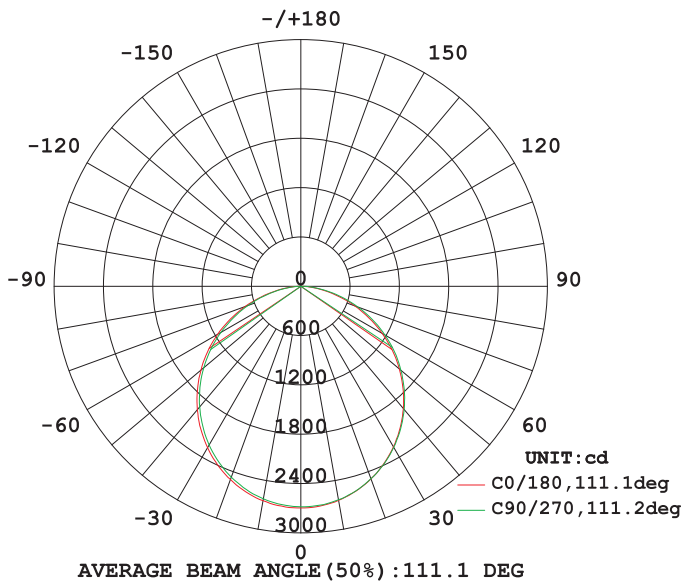
Flux out: 3671 lm



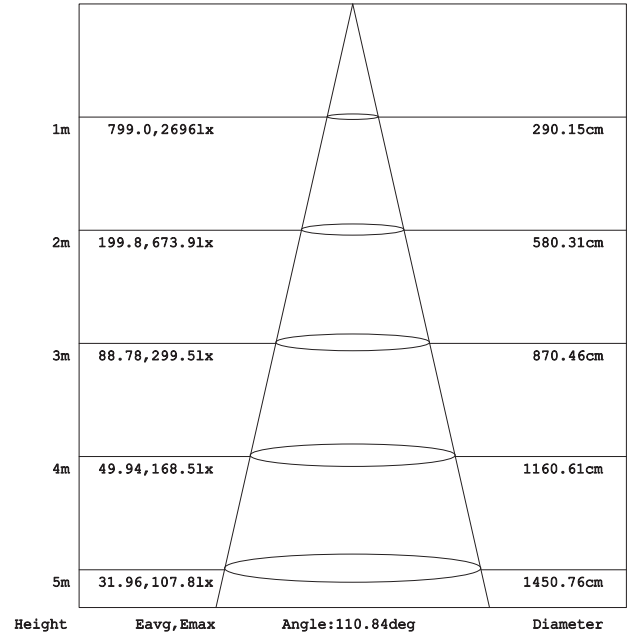
Note: The Curves indicate the illuminated area and the average illumination when the luminaire is at different distance.

2X4

LUMINOUS INTENSITY DISTRIBUTION DIAGRAM



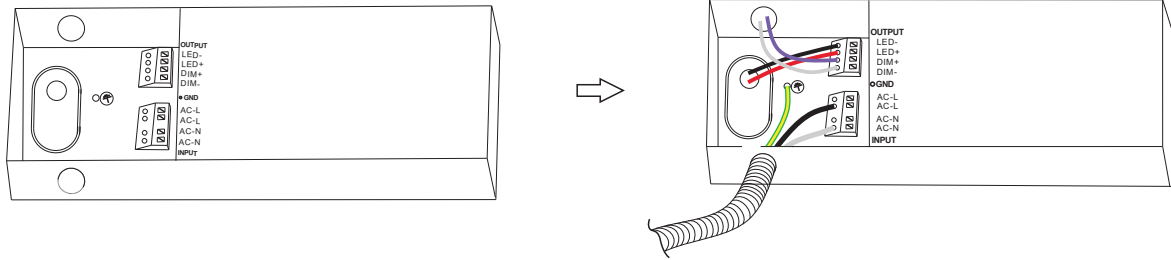
Flux out: 5517 lm



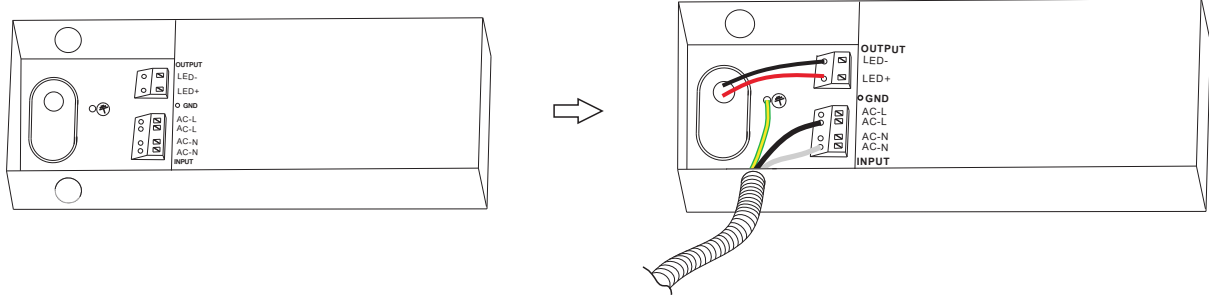
Note: The Curves indicate the illuminated area and the average illumination when the luminaire is at different distance.

Connection Mode

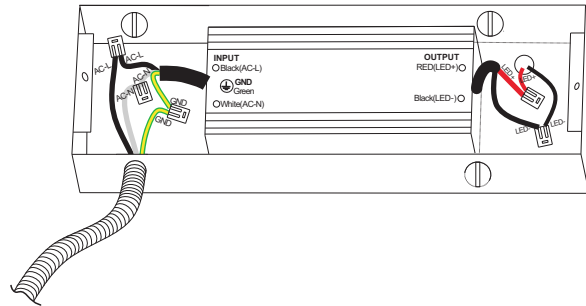
Dimming Driver(120-347V)



Non-dimmable Driver(120-347V)

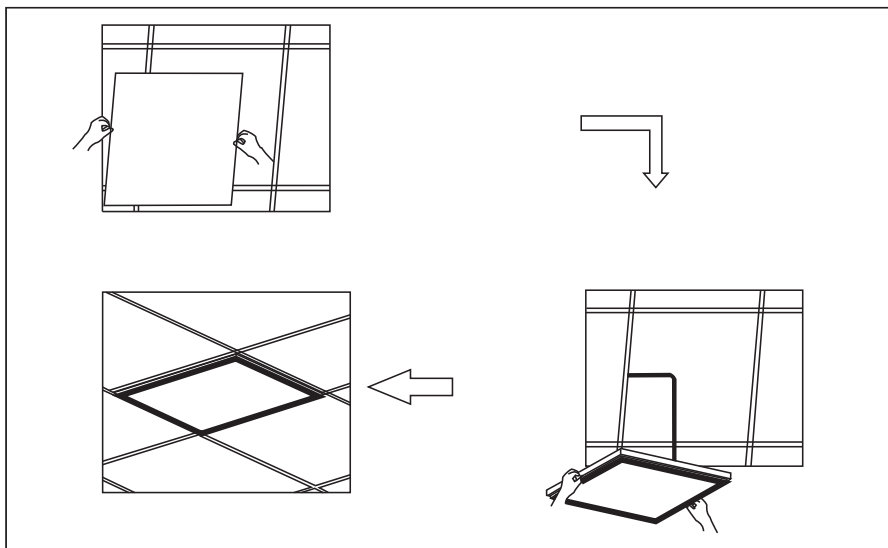


277-480V Driver

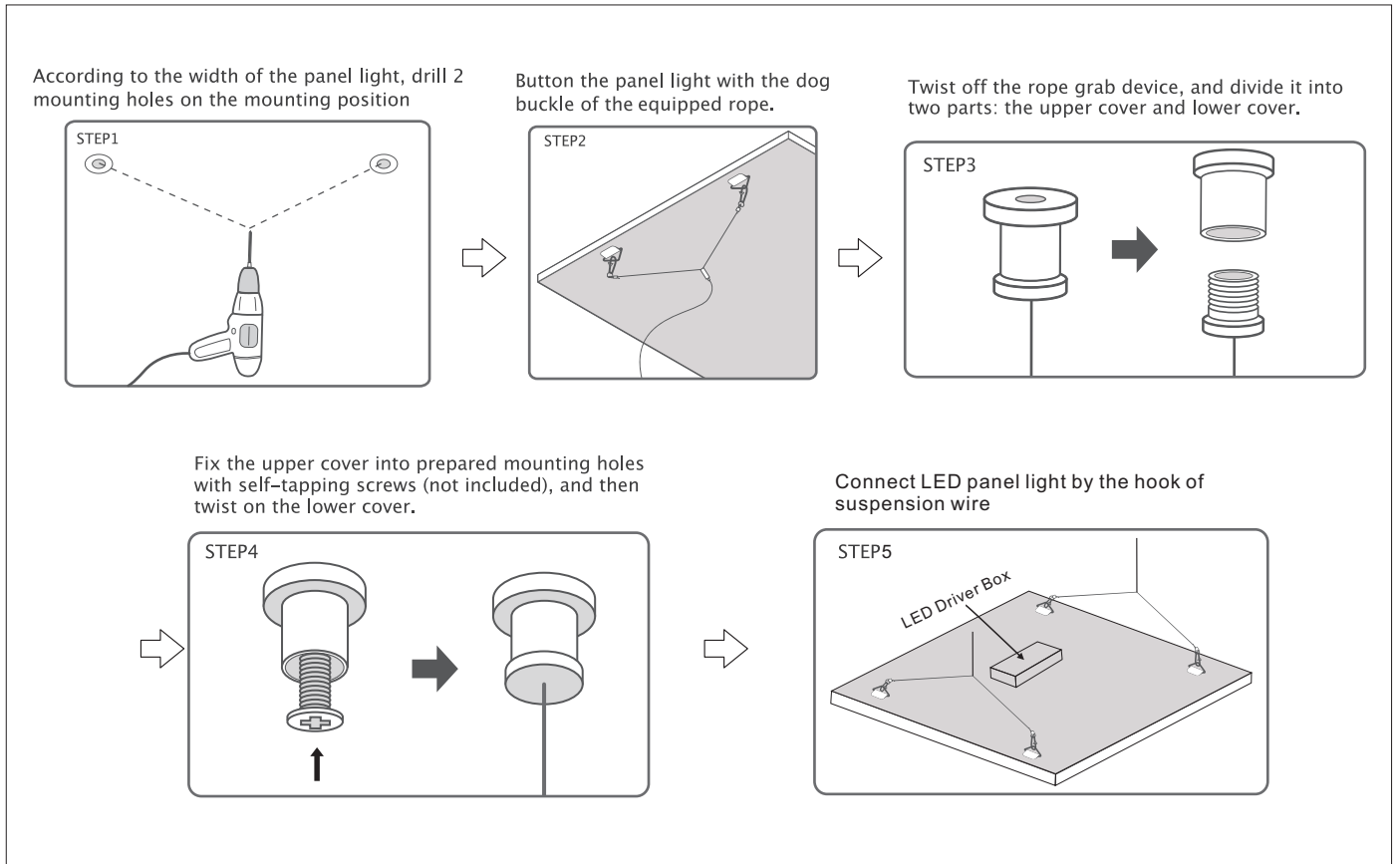


Installation Guide

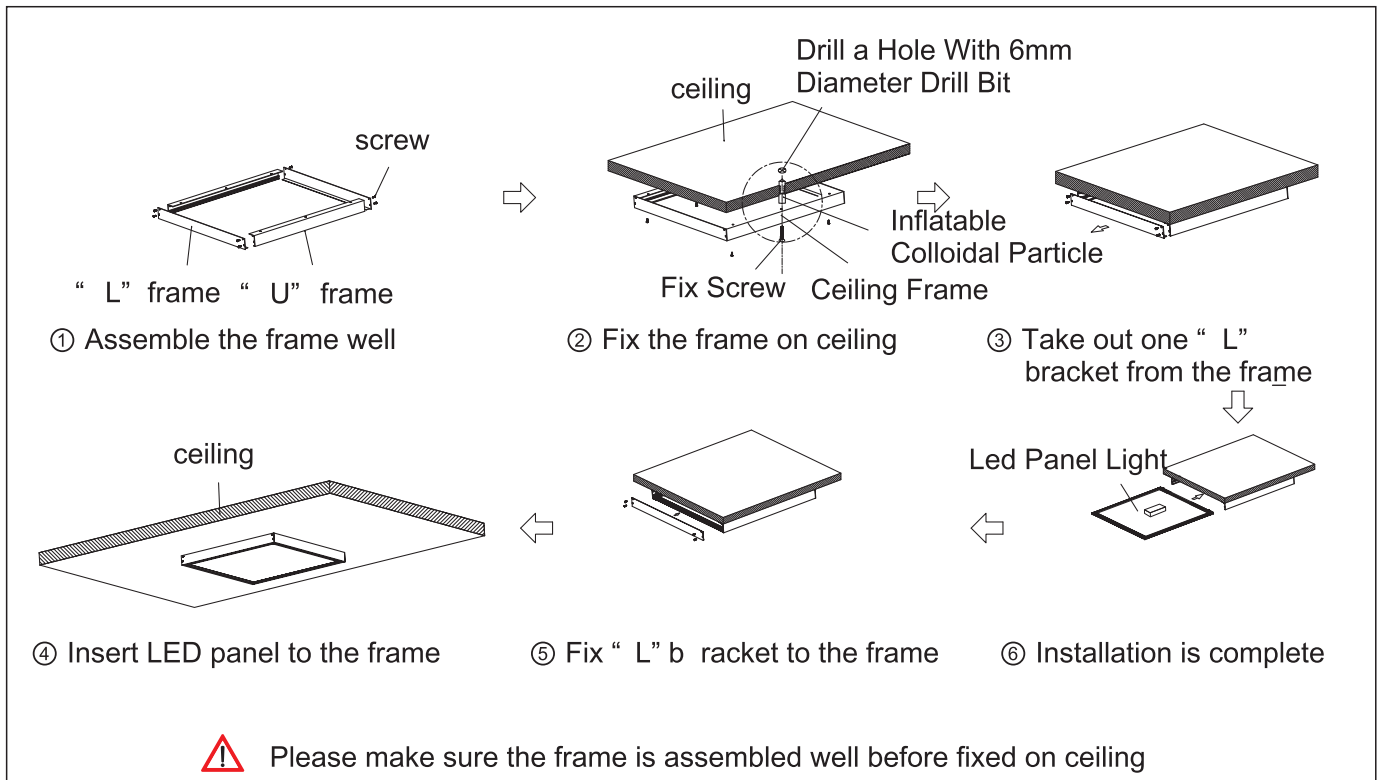
Build-in



Suspended

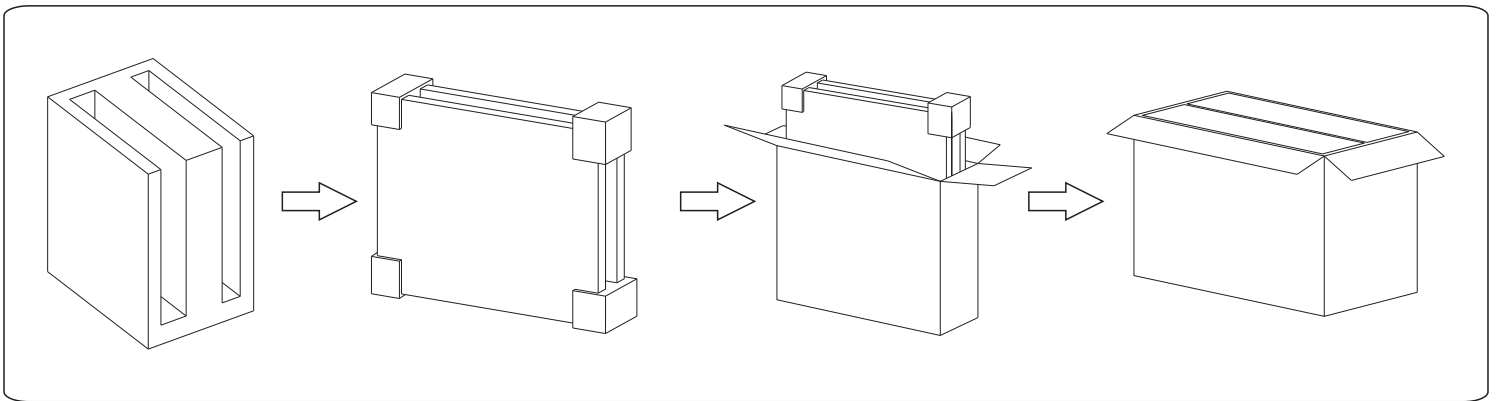


Surface Mount



Package

Item	N.W.	CARTON SIZE(cm)	Qty.	G.W.	20GP container can load (Qty)	40HQ container can load (Qty)
2X2 FT	3.8kg/pc	68x70x25	4pcs/CTN	19.0kg/CTN	996	2244
1X4 FT	3.7kg/pc	129x40x25	4pcs/CTN	18.5kg/CTN	852	2156
2X4 FT	7.3kg/pc	129x70x25	4pcs/CTN	35.2kg/CTN	512	1204



Warning

- Please use the product within the specified range of voltage.
- Please follow the correct installation steps to install the product, and do not touch when it is working.
- Please turn power off when installing and removing the products to avoid risk of electric shock.
- Please install the panel in the correct sized fixture.
- Do not look directly at LED light source for a long time.

Warranty

- 5 years warranty from the shipping date;
- We will replace all the failed products due to design/production quality during warranty period;
- We will bear all cost of maintains if the customer can help us to repair locally;
- We don't have the responsibility to compensate for any incorrect installation or artificial damage;
- We don't have the responsibility to compensate for damage occurred during the transit.

Application Reference

Application for most indoor area for Commercial Lighting, residential lighting and Industrial lighting, etc.

Warning and caution:

1. Don't use in completely enclosed fixture and damp area.
2. Used as safety or emergency lamps are not recommended.



family



office



hospital



supermarket

JOYTECH PRODUCTS CO.,LTD

1F, No.15, Lane 27, Sec.3 Chung-king South Rd., Taipei 100, Taiwan, R.O.C

Tel : 886-2-23582899 Fax : 886-2-23415778

E-Mail : sales@joytech-jpc.com.tw Website : www.joytech-jpc.com.tw